

6

5

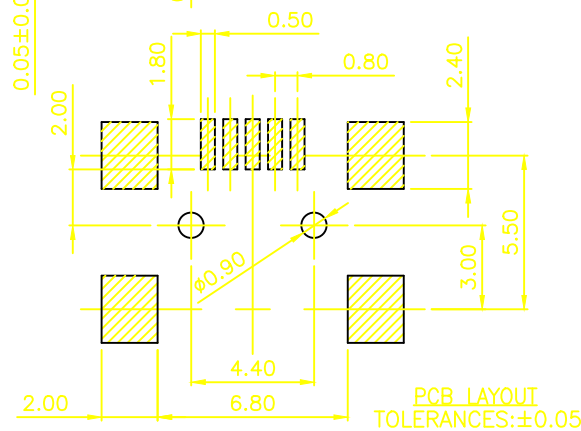
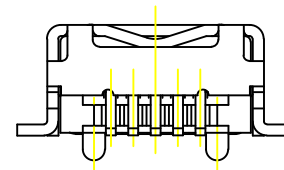
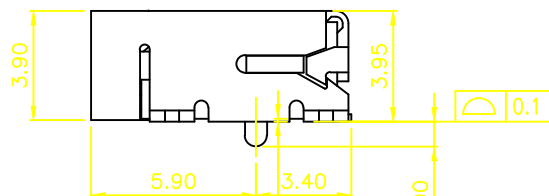
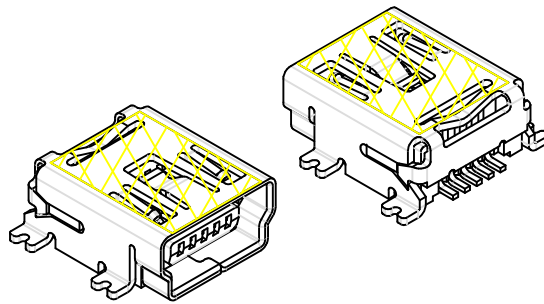
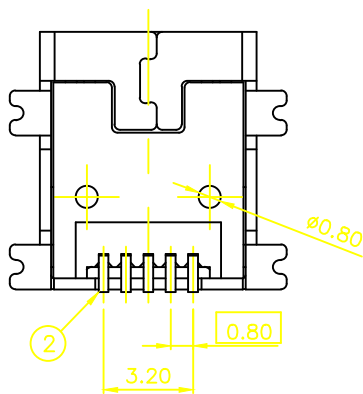
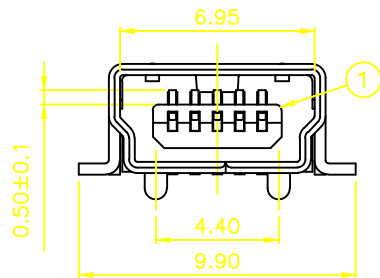
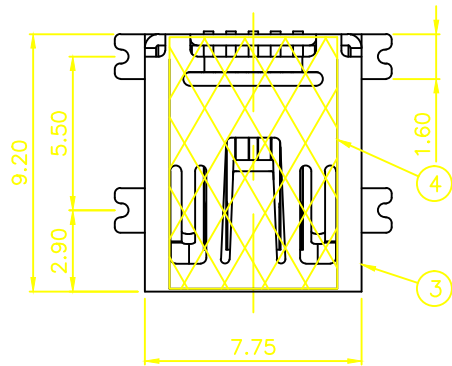
4

3

2

1

REV.	DESCRIPTION	DATE	DWG.	CHKD
0	PROPOSED	'14.06.10	B.K	T.H



NOTES:

1.COPLANARITY:0.10MAX

2.PART NUMBER:MU5-MB-1-01- X X X X
a b c d

a:POST
0:YES
1:NO

b:MYLAR
1:YES
2:NO

c:SHELL PLATING
B:MATTE TIN(霧錫-無鉛鍍程)
C:Gold Flash

d:CONTACT PLATING
1:CONTACT AREA GOLD FLASH
SOLDER TAIL : Matte Tin
5:CONTACT AREA 30u"
SOLDER TAIL : Matte Tin
8:CONTACT AREA : GOLD 30u"
SOLDER TAIL : FLASH GOLD

NOTE	FINISH	PART NO.	N A M E	NO.
MATERIAL *****	NET WEIGHT *****g	COLOR *****	GENERAL TOLERANCE ±0.2 ±3°	UNIT:mm
FTN.&TREAT *****	GROSS WEIGHT *****g	SCALE 1:1	SIZE A4	
CUSTOMER *****	PART NO. MU5-MB-1-01-XXXX	REV. 0	A	
CUSTOMER PART NO. *****	PROPOSAL NO. *****-****-****-****	REV. *		
MSH TECHNOLOGY		NAME (SHEET 1 OF 5) MINI USB B TYPE 5PIN RECEPTACLE		
APP. '14.06.10	CHKD '14.06.10	DWG. '14.06.10	T.HASHIMOTO T.HASHIMOTO B.KA	

(CUSTOMER DRAWING)
