

6

5

4

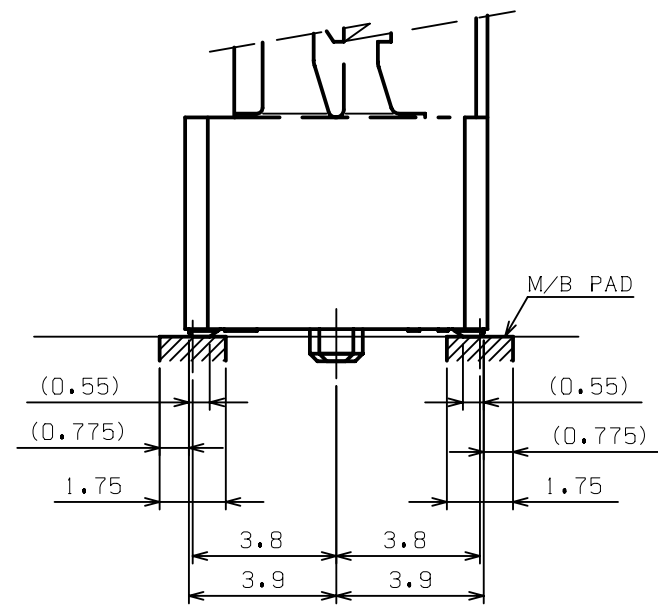
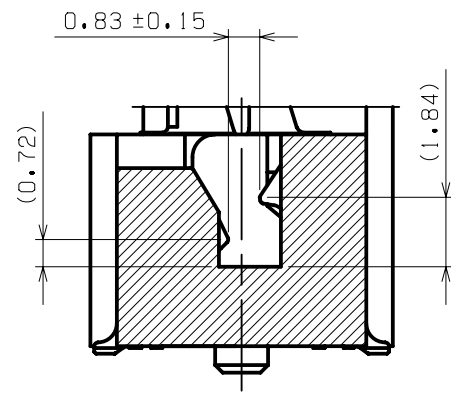
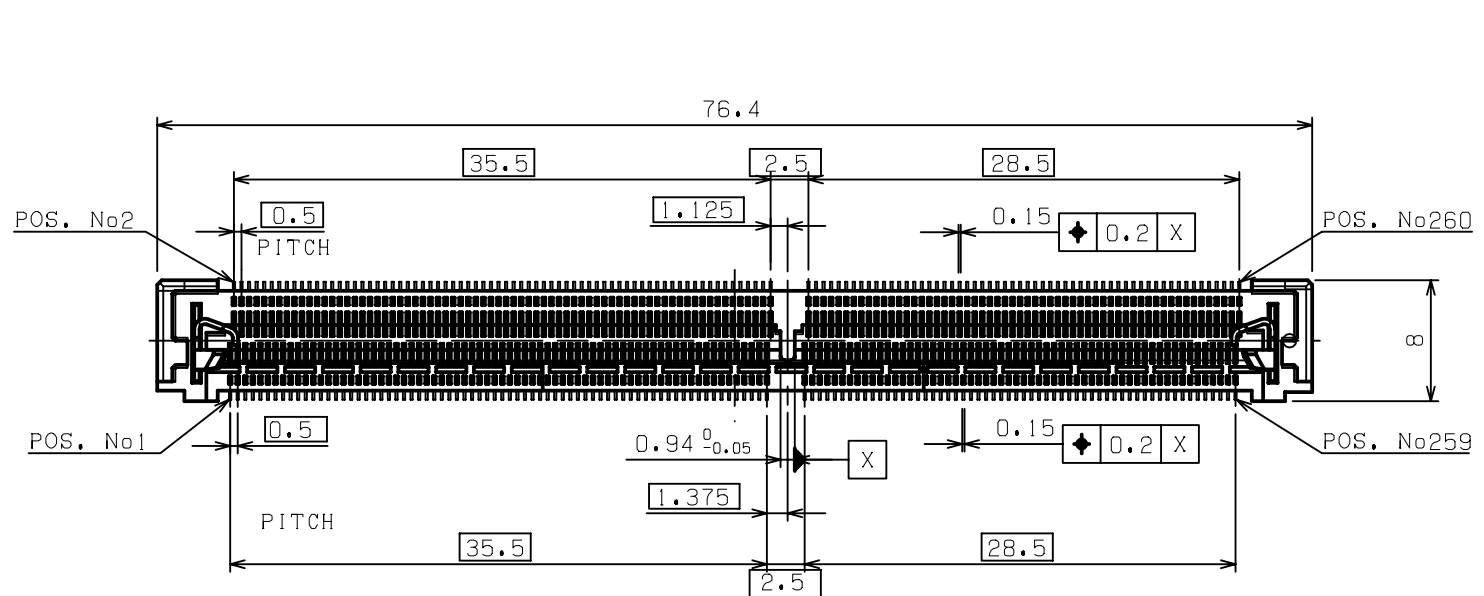
3

2

1

REV.	DESCRIPTION	DATE	DWG.	CHKD
0	PROPOSED	15.04.27	B.K	T.H
A	REVISED	16.01.07	B.K	T.H
B	REVISED	16.01.12	B.K	T.H

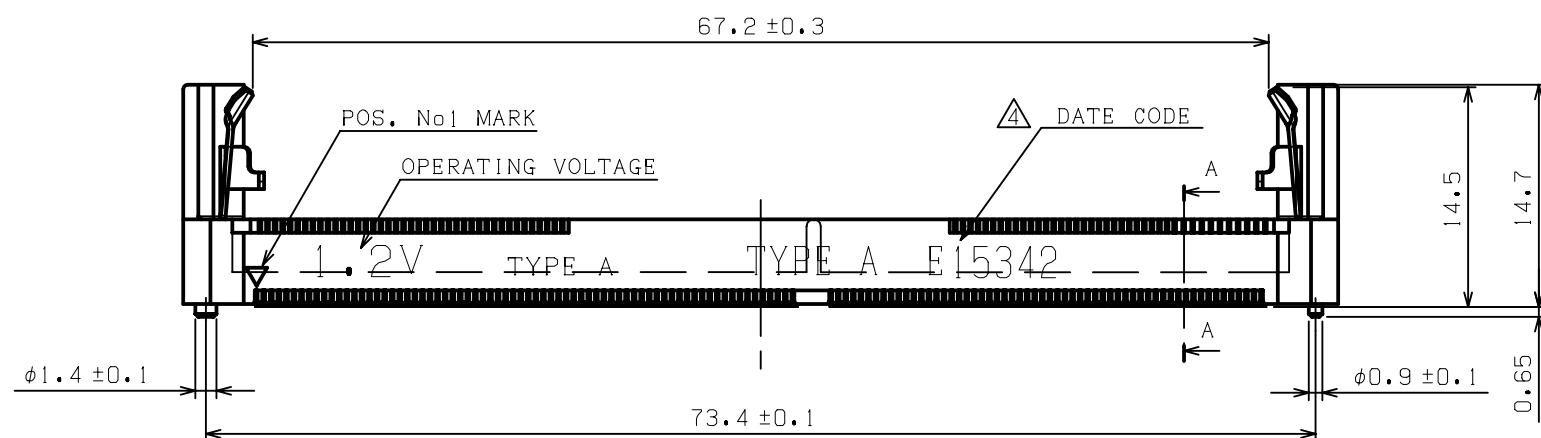
LEAD FREE



SOLDERING DIM

NOTES.

- MATERIAL; HOUSING: LCP, UL94V-0, COLOR: BLACK  
CONTACT: C5210 (PHOS-BRO)  
METAL LATCH: SUS301 (STAINLESS STEEL)
- PLATING; CONTACT (CONTACT POINT, SOLDER TAIL)  
: GOLD FLASH, Ni UNDER PLATE
- MUST BE MEASURED FLOATING AMOUNT OF CONTACT TAILS FROM DATAM SURFACE IS 0.1mm MAX.
- DATE CODE:  
DATE CODE E15342 (E YY WW D)  
E : ELECTRIC INSPECTION  
YY: "15" 2015, "16" 2016, ...  
WW: "01" 1st week, "02" 2nd week, "03" 3RD week...  
D : "1" MONDAY, "2" TUESDAY, "3" WENDESDAY...



1.2V	TYPE A (STD)	CA1046-260B02	CA1046-260B32
POWER SUPPLY	KEY TYPE	PART NO. OF CONNECTOR	PART NO. OF PACKAGED PRODUCT (WITH TARY)

MATERIAL	SEE NOTE	NET WEIGHT	***g	COLOR	SEE NOTE	GENERAL TOLERANCE	±0.2 ±3°	UNIT:mm
FIN.&TREAT	SEE NOTE	GROSS WEIGHT	***g	SCALE	2:1	SIZE	A3	
CUSTOMER	*****	PART NO.	CA1046-260B**			REV.	B	A
CUSTOMER PART NO.	*****	PROPOSAL NO.	****-**-**-**			REV.	*	
美星鴻科技股份有限公司 MSH TECHNOLOGY INC.		NAME		DDR4 S.O DIMM SOCKET VERTICAL				(SHEET 1 OF 4)
APP.	15.04.27	CHKD	15.04.27	DWG.	15.04.27	TYPE A FOR 260PIN DDR S.O DIMM		
T.HASHIMOTO	T.HASHIMOTO	B.KA						

(CUSTOMER DRAWING)

\*\*\*\*\*

6

5

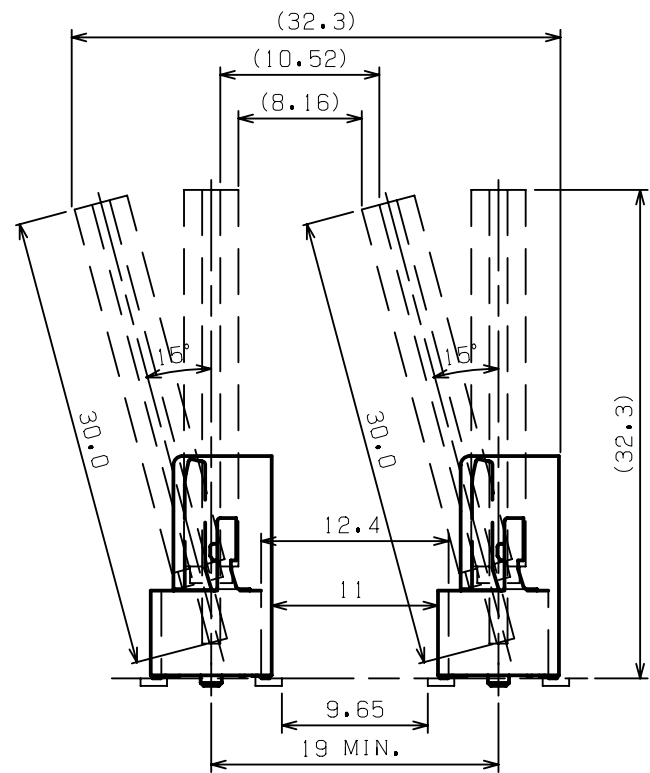
4

3

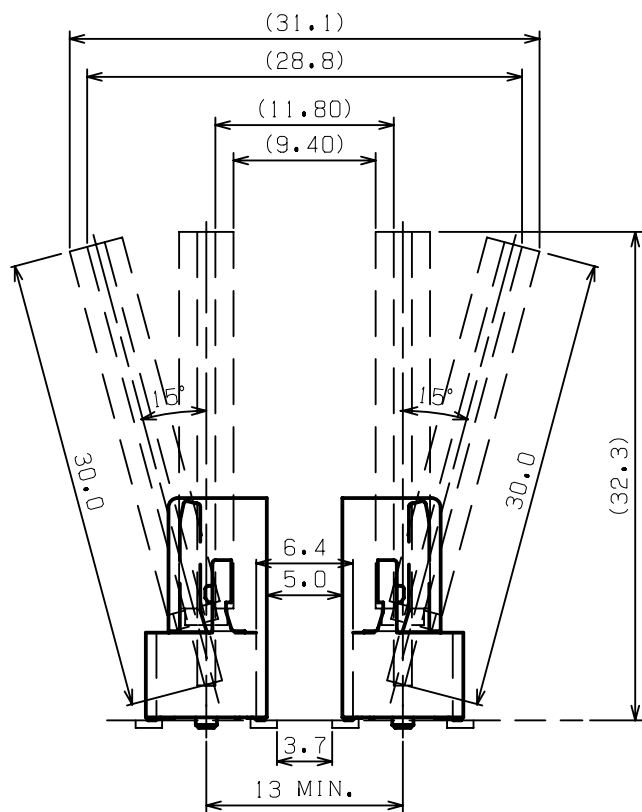
2

1

REV.	DESCRIPTION	DATE	DWG.	CHKD
	SEE SHEET 1 OF 4			

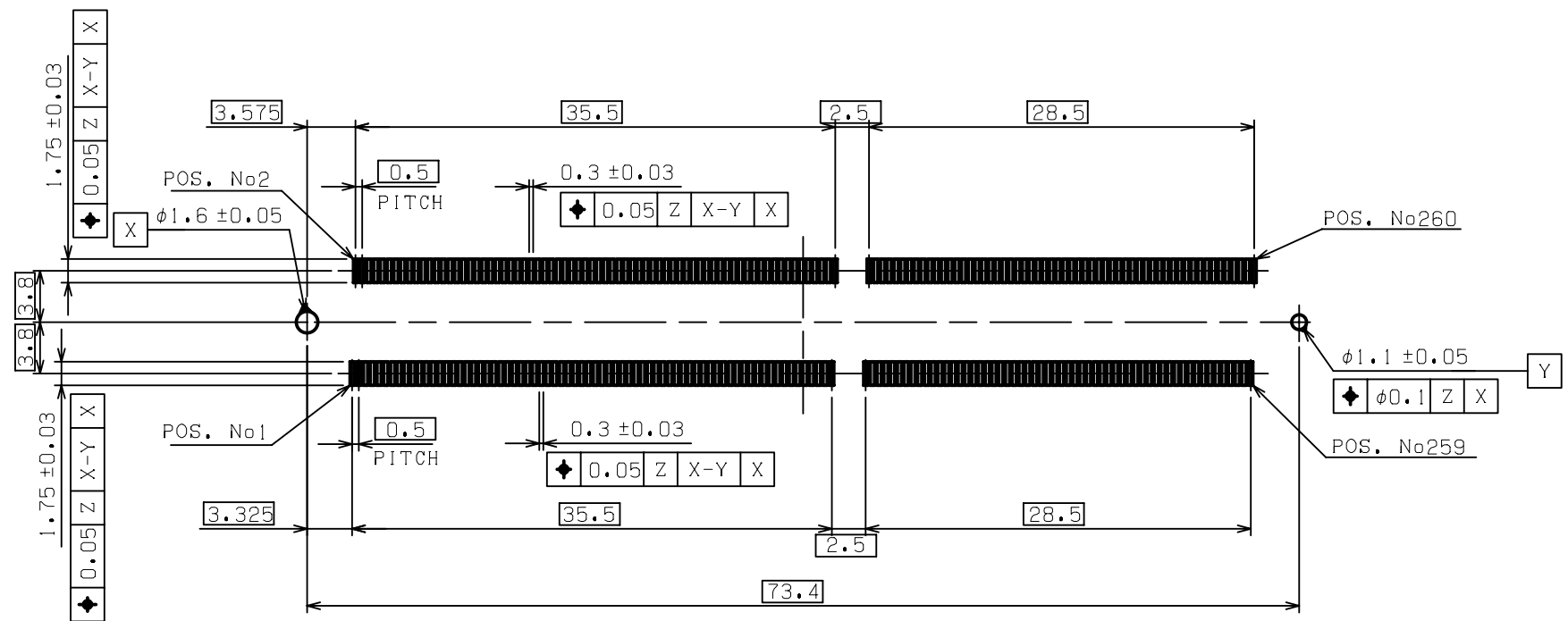


(CA1046+CA1046)



(CA1046+CA1078)

RECOMMENDED SOCKET MOUNTING LAYOUT



RECOMMENDED MOUNTING P.C. BOARD PATTERN LAYOUT DIM.

NOTES.

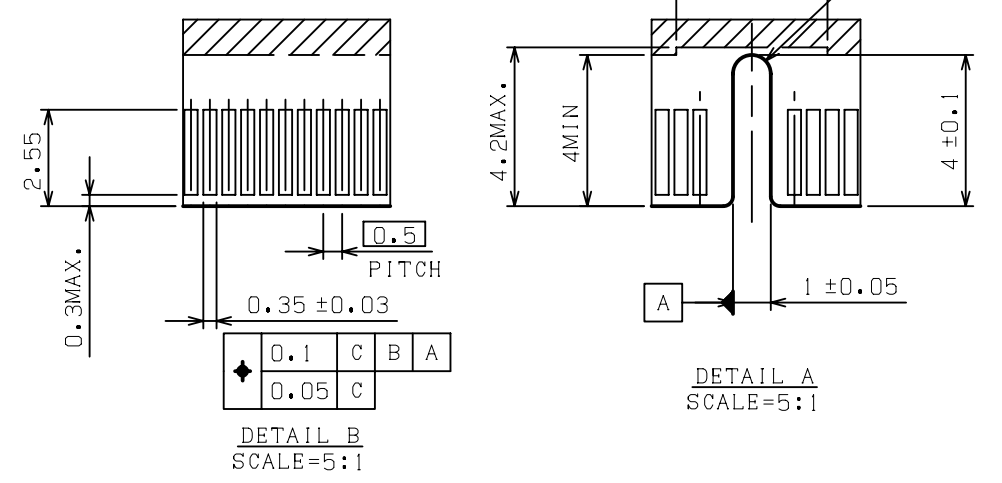
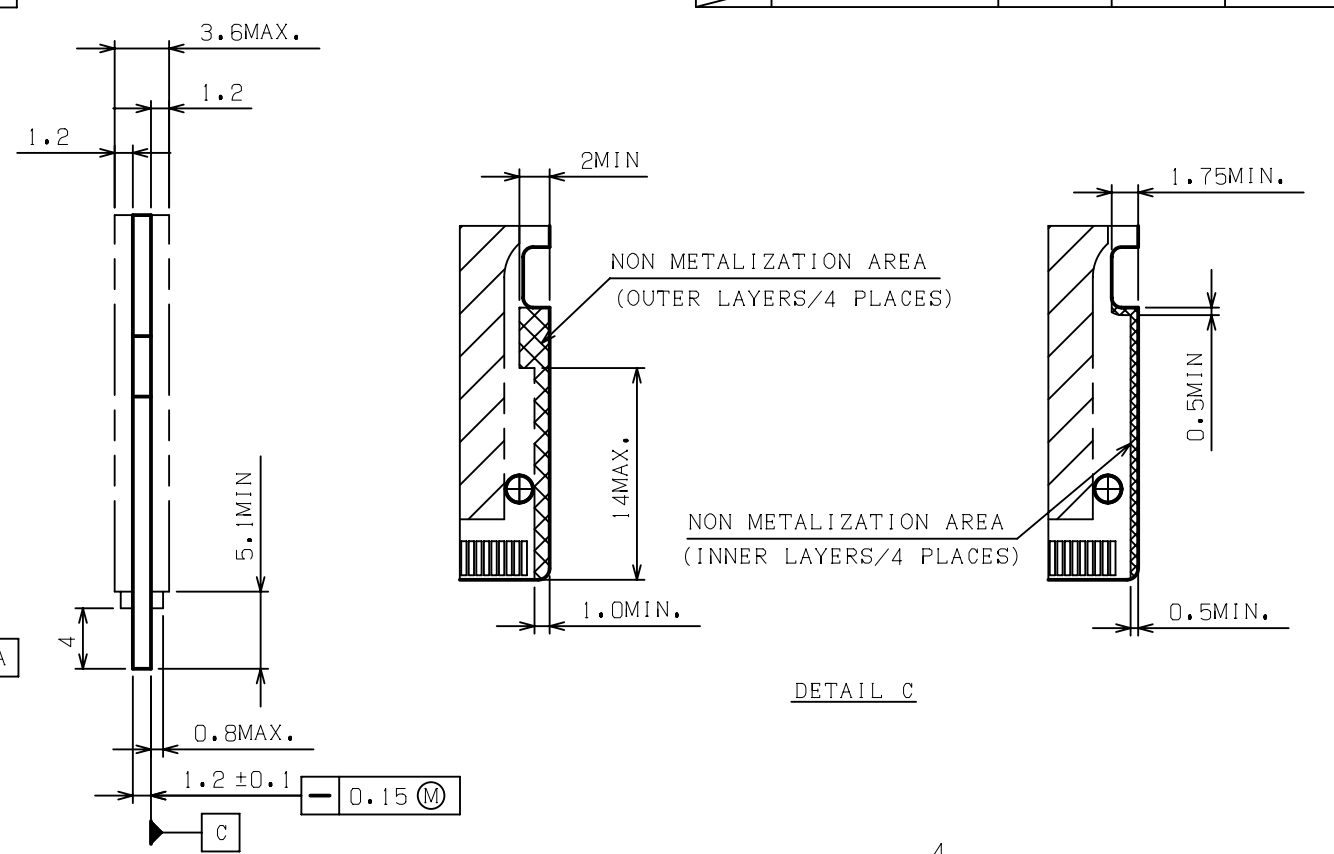
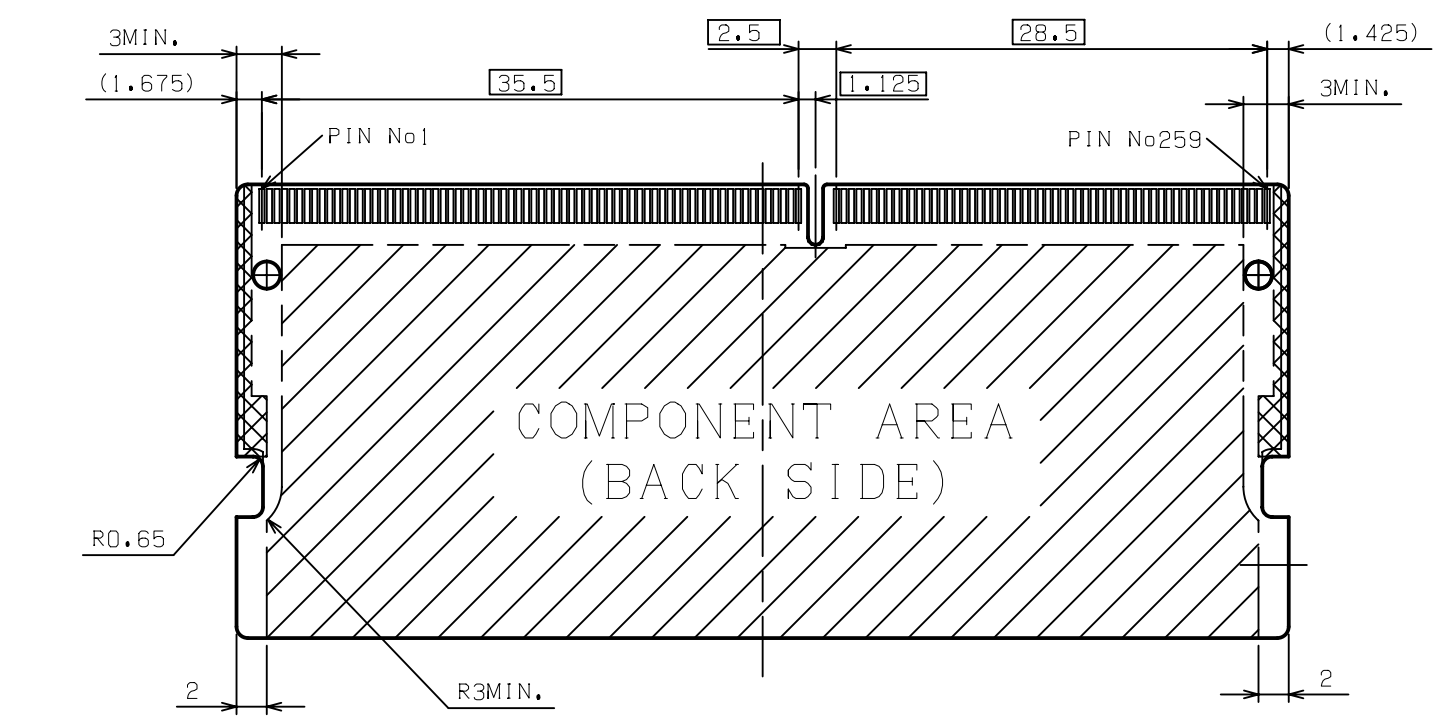
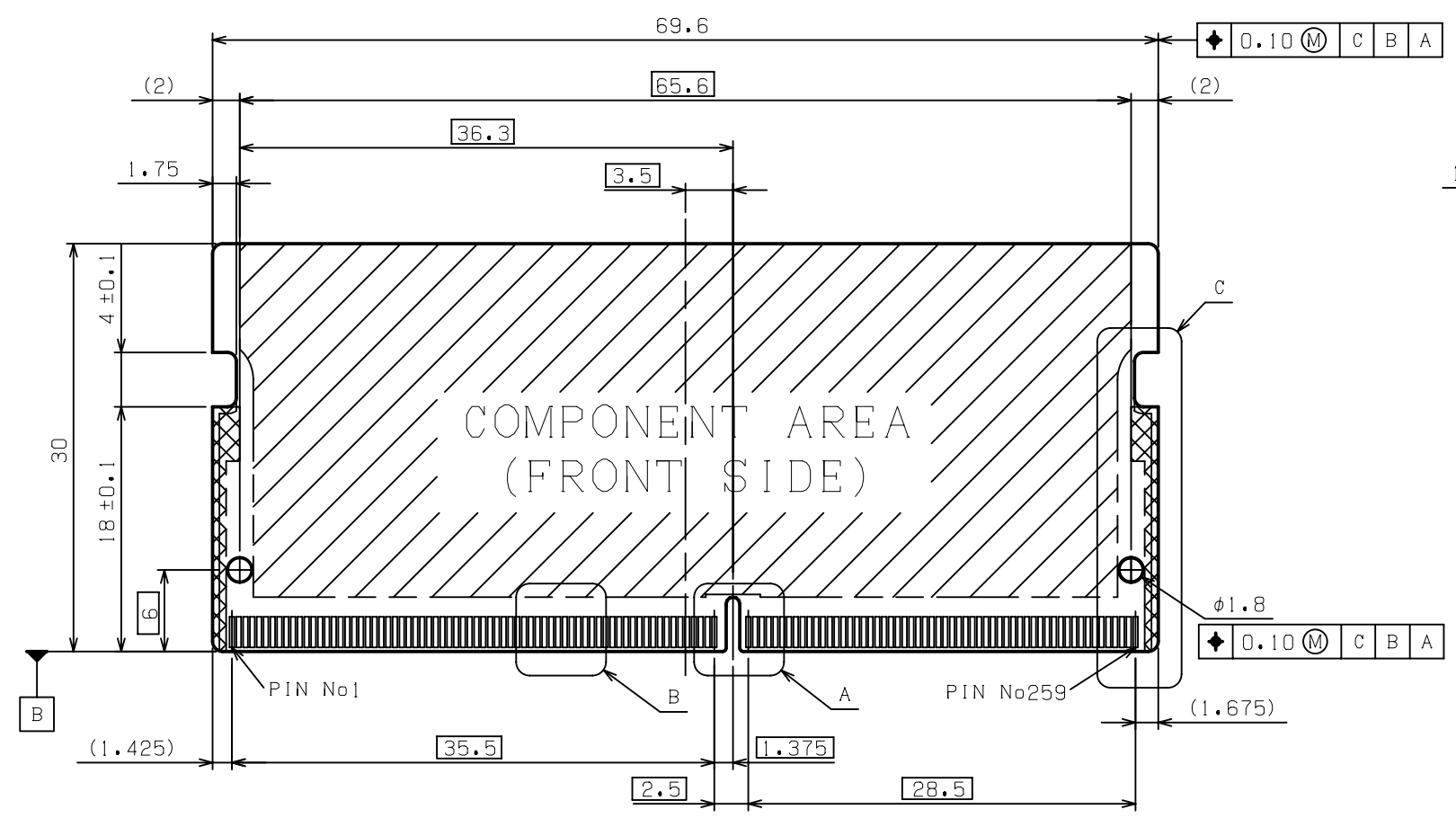
- 1 TOLERANCE ON DIMENSIONS IS  $\pm 0.15$  UNLESS OTHERWISE SPECIFIED.
- 2 A pcb side be DETAM "Z".

MATERIAL	SEE NOTE	NET WEIGHT	***g	COLOR	SEE NOTE	GENERAL TOLERANCE	$\pm 0.15 \pm 3^\circ$	UNIT:mm
FIN.&TREAT	SEE NOTE	GROSS WEIGHT	***g	SCALE	2:1	SIZE	A3	
CUSTOMER	*****	PART NO.	CA1046-260B**		REV.	B		
CUSTOMER PART NO.	*****	PROPOSAL NO.	****-***-**-**		REV.	*		
美星鴻科技股份有限公司 MSH TECHNOLOGY INC.					NAME DDR4 S.O DIMM SOCKET VERTICAL TYPE A FOR 260PIN DDR S.O DIMM			
APP.	15.04.27	CHKD	15.04.27	DWG.	15.04.27	(SHEET 2 OF 4)		
T.HASHIMOTO	T.HASHIMOTO	B.KA						

(CUSTOMER DRAWING)

\*\*\*\*\*

REV.	DESCRIPTION	DATE	DWG.	CHKD
	SEE SHEET 1 OF 4			



NOTES.

△ TOLERANCE ON DIMENSIONS IS ±0.15 UNLESS OTHERWISE SPECIFIED.

NOTE	FINISH	PART NO.	N A M E	NO.
MATERIAL	*****	NET WEIGHT	COLOR	GENERAL TOLERANCE
FIN.&TREAT	*****	GROSS WEIGHT	SCALE	SIZE
CUSTOMER	*****	PART NO.	CA1046-260B**	REV. B
CUSTOMER PART NO.	*****	PROPOSAL NO.	****-***-**-**	REV. *
美星鴻科技股份有限公司 MSH TECHNOLOGY INC.		NAME		
APP. 15.04.27	CHKD 15.04.27	DDR4 S.O DIMM SOCKET VERTICAL		(SHEET 3 OF 4)
T.HASHIMOTO	T.HASHIMOTO	TYPE A FOR 260PIN DDR S.O DIMM		

(CUSTOMER DRAWING)

6

5

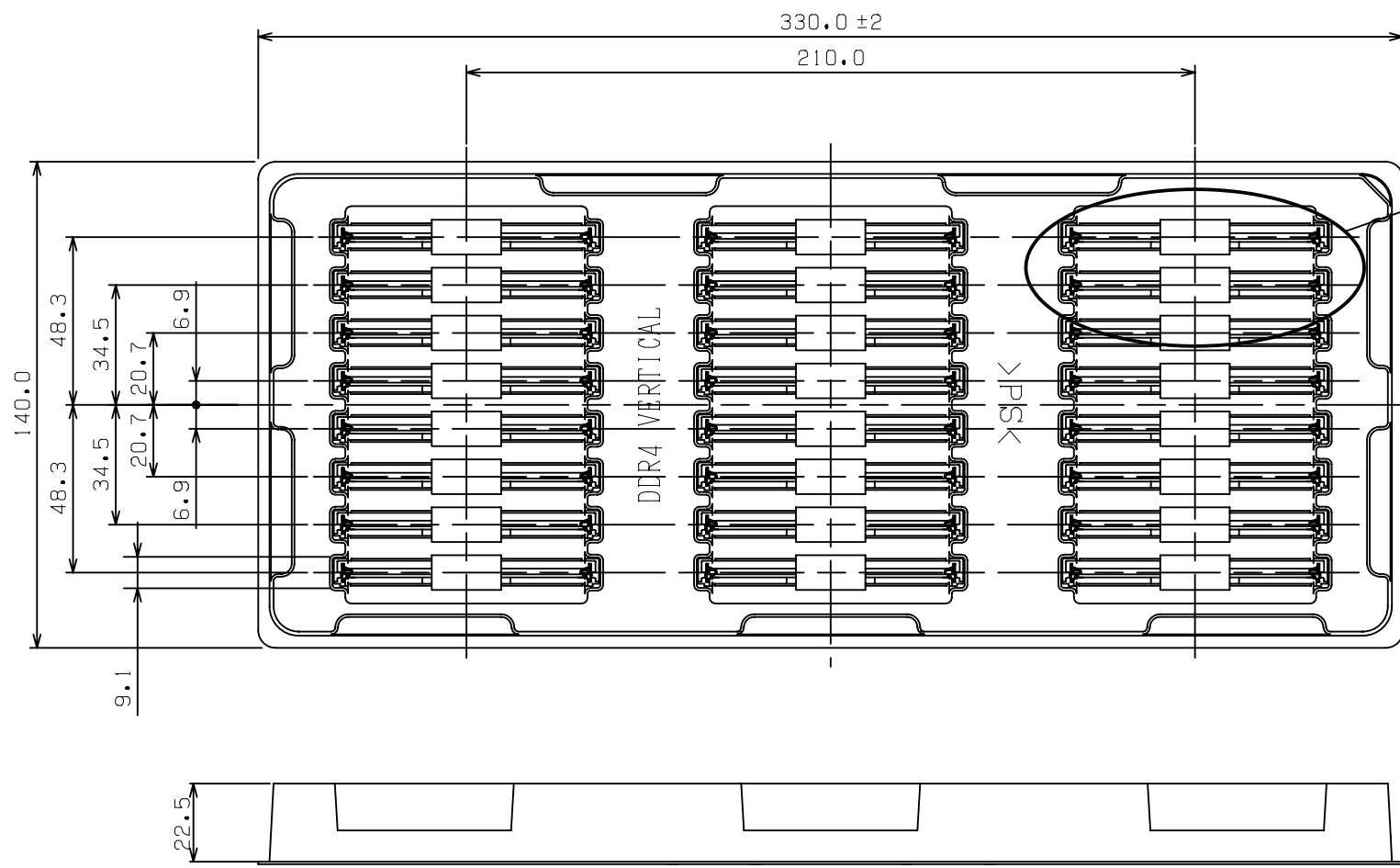
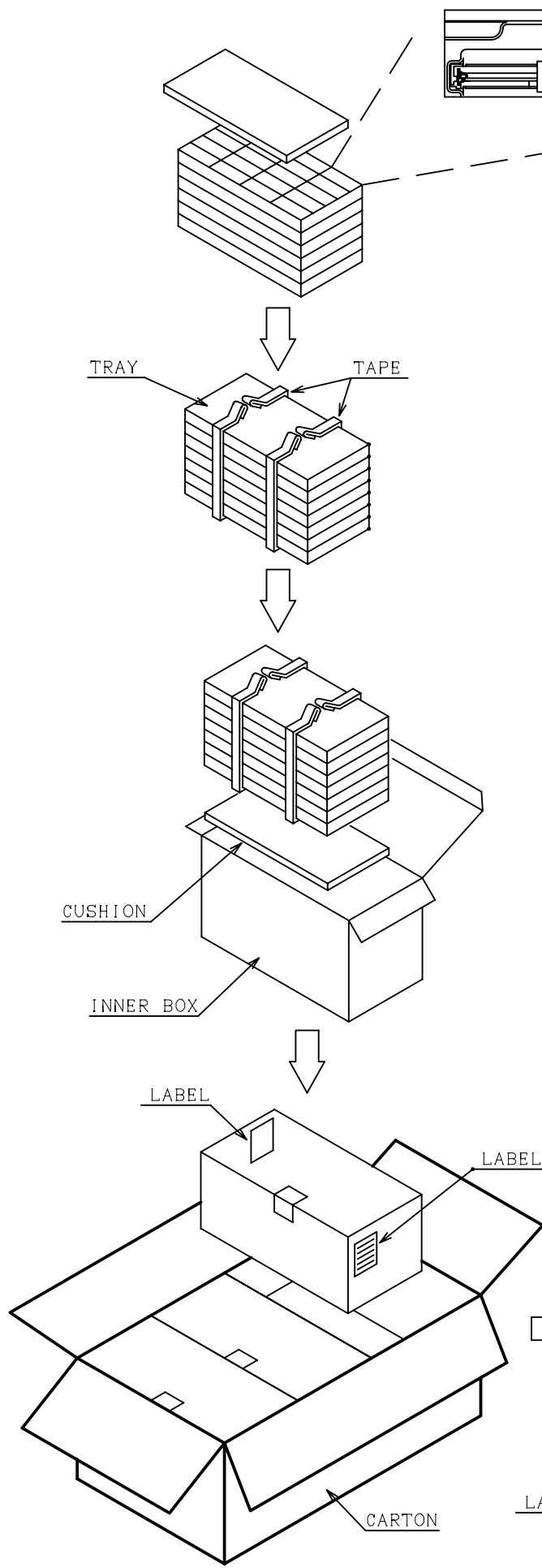
4

3

2

1

REV.	DESCRIPTION	DATE	DWG.	CHKD
	SEE SHEET 1 OF 4			



432	24	6	2.1	4.1	260	CA1046-260B02	CA1046-260B32
PARTS PER CARTON (S.P.Q)	PARTS PER TRAY	TOTAL TRAYS PER INNER BOX	N.W (kg)	G.W (kg)	POSITION	PART NO. OF CONNECTOR	PART NO. OF PACKAGED PRODUCT (WITH TRAY)

NOTE	FINISH	PART NO.	NAME	NO.
MATERIAL *****	NET WEIGHT ***g	COLOR *****	GENERAL TOLERANCE ±0.5 ±3°	UNIT:mm
FIN.&TREAT *****	GROSS WEIGHT ***g	SCALE 1:2	SIZE A3	
CUSTOMER *****	PART NO. CA1046-260B**	REV. B		
CUSTOMER PART NO. *****	PROPOSAL NO. ****-**-**-**	REV. *		
美星鴻科技股份有限公司 MSH TECHNOLOGY, INC.		NAME (SHEET 4 OF 4)		
APP. 15.04.27	CHKD 15.04.27	DWG. 15.04.27	DDR4 S.O DIMM SOCKET VERTICAL	
T.HASHIMOTO	T.HASHIMOTO	B.KA	TYPE A FOR 260PIN DDR S.O DIMM	

XXXXX

(CUSTOMER DRAWING)